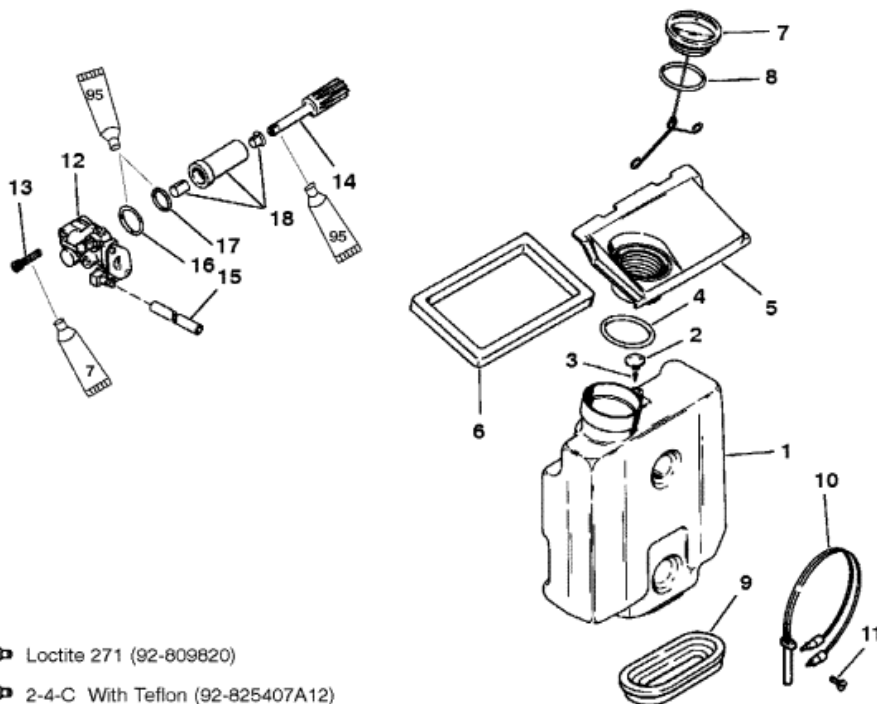
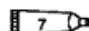
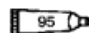


Parts List						
Ref	Class	Part	Description	Qty	Comment	Footnote
1	1264	812778A	OIL TANK ASSEMBLY	1		
2		19299A	VENT	1		
3	21	64871	VALVE	1		
4	25	11332	O-RING	1		
-	32	90049	SIGHT TUBE	1		
-	54	814200	CLAMP	2		
5		812988A	INSERT-OIL CAP	1		
6		813641	SEAL	1		
7	36	19070A	CAP ASSEMBLY	1		
8	25	90186	O-RING	1		
9		99161	BOOT-OIL TANK	1		
10	87	12886A	SWITCH	1		
11	10	12896	SCREW	1		
12		812690	OIL INJECTION PUMP	1		
13	10	55515	SCREW-OIL PUMP	2		
14	43	19277	DRIVEN GEAR	1		
15	32	823813	TUBING	1		
16	25	62705	O-RING	1		
17	25	48462	O-RING	1		
18	23	19278A	BEARING ASSEMBLY-DRIVEN GE	1		



-  Loctite 271 (92-809820)
-  2-4-C With Teflon (92-825407A12)